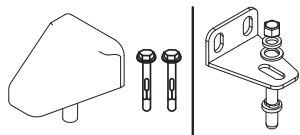
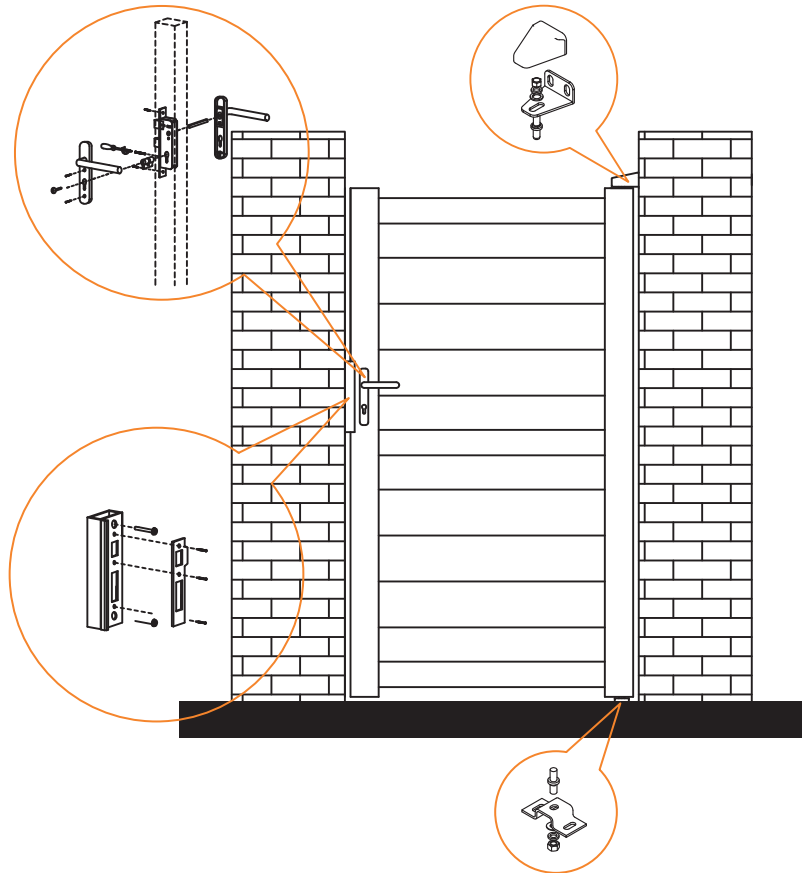
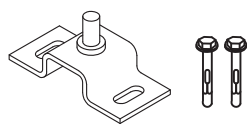


FIXED GAP INSTALLATION

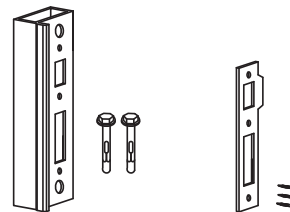
FLOOR MOUNTED – For use when fitting to posts



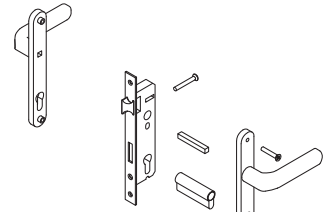
1x Wall Mounted Hinge (Top)



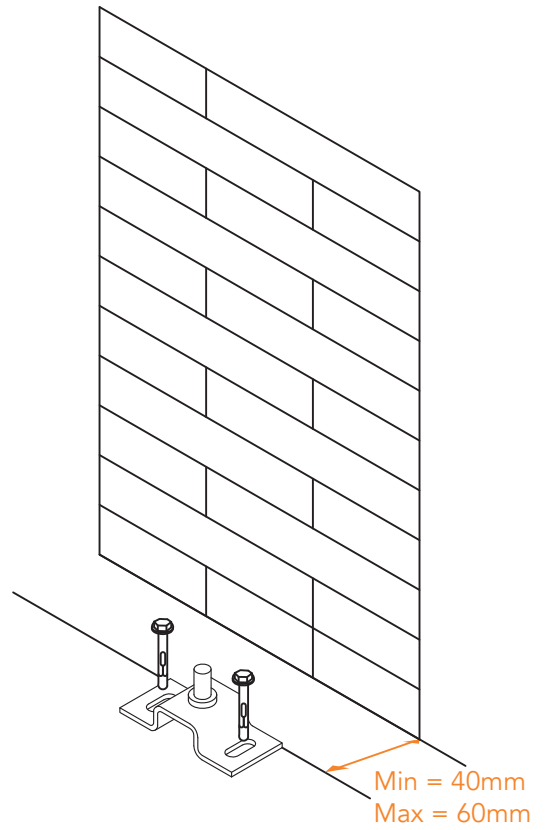
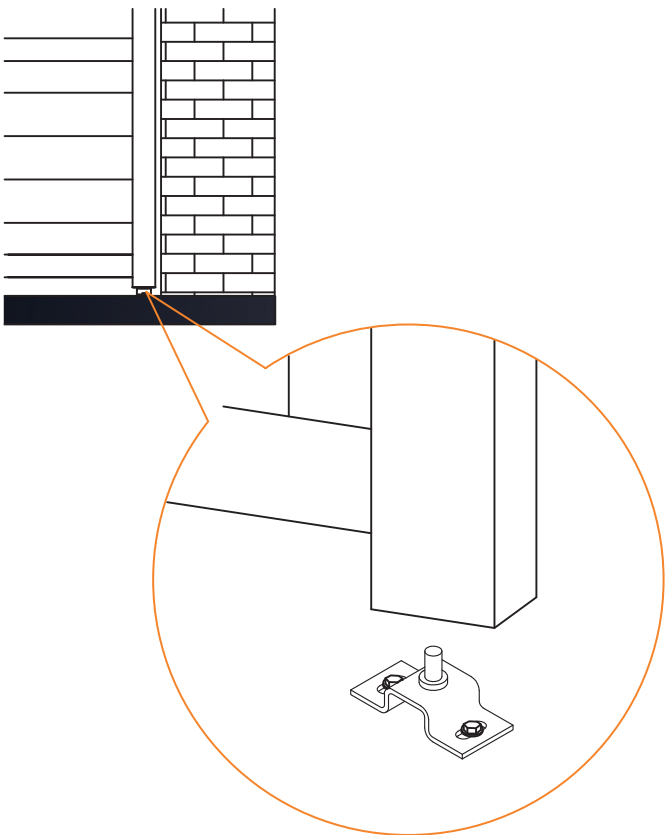
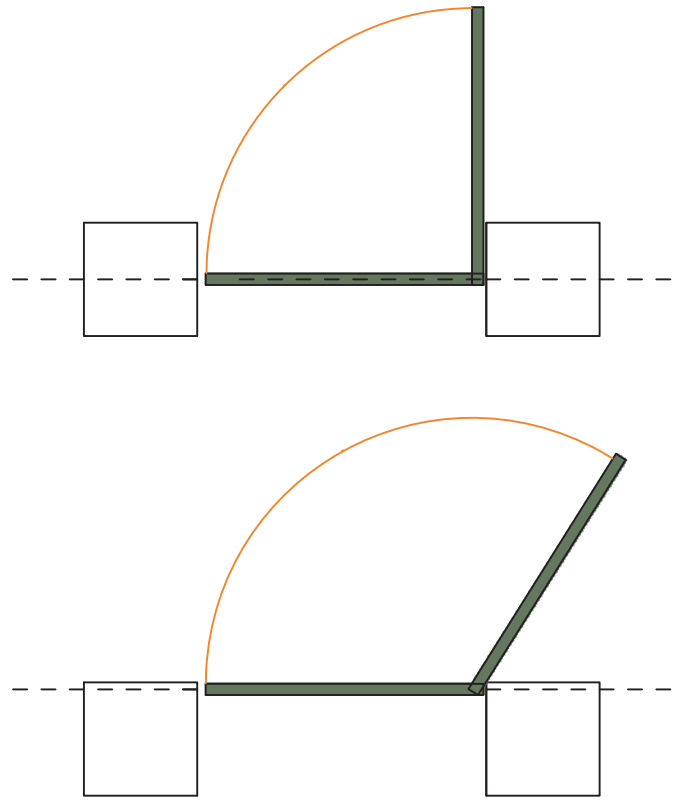
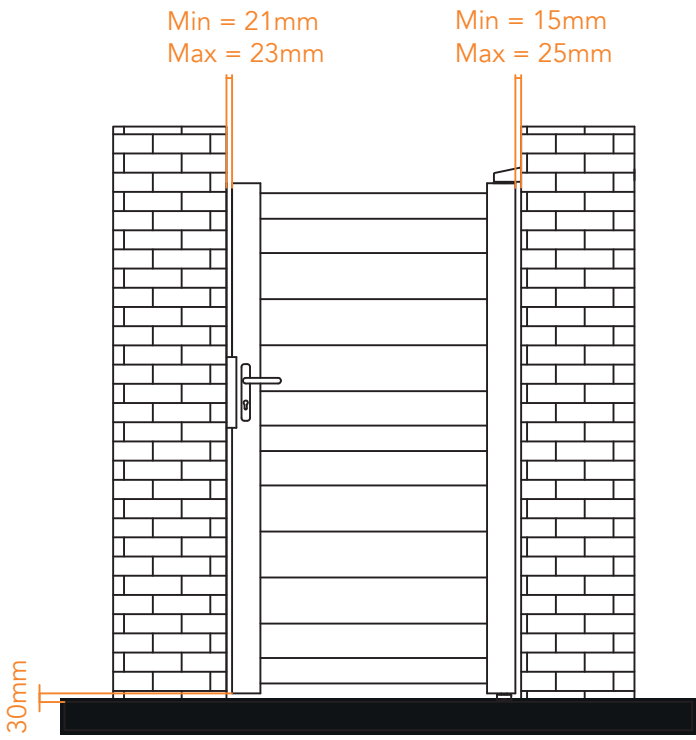
1x Floor Mounted Hinge (Bottom)

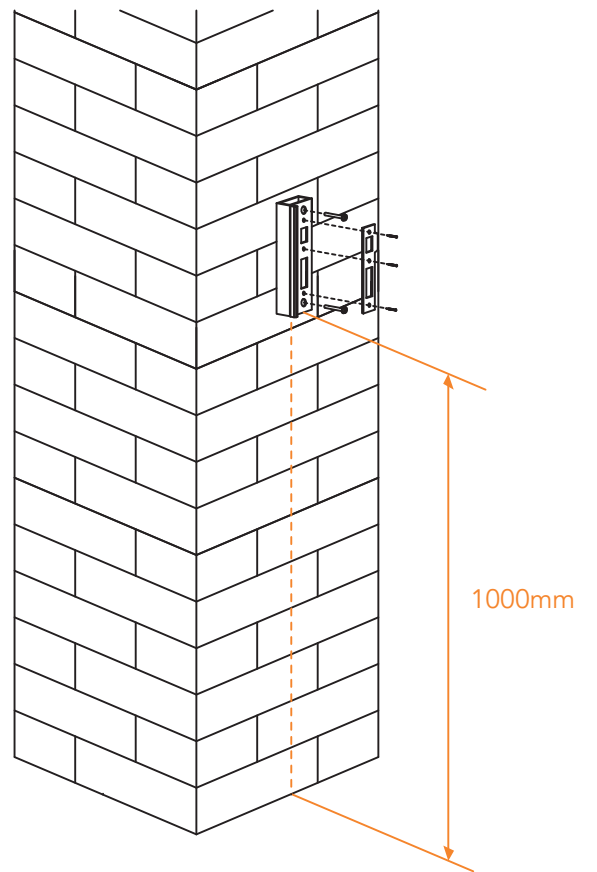
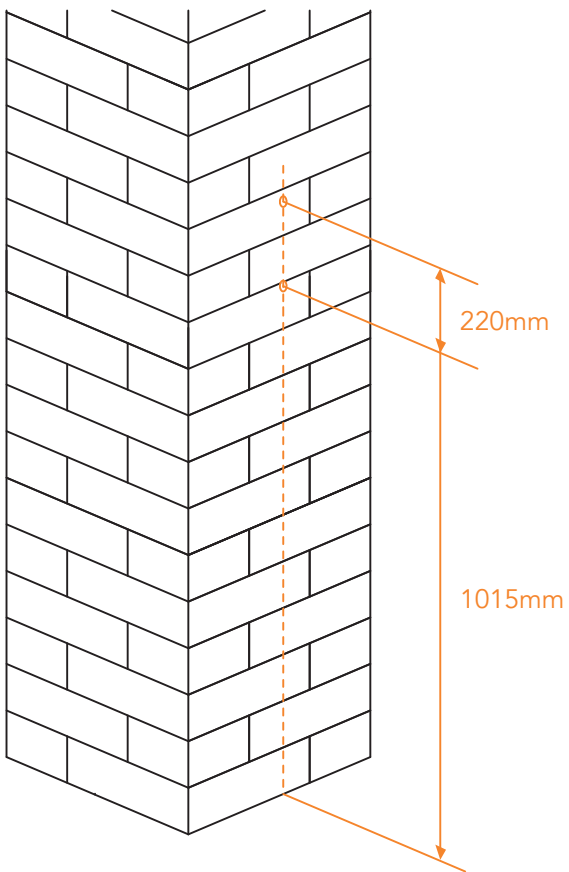
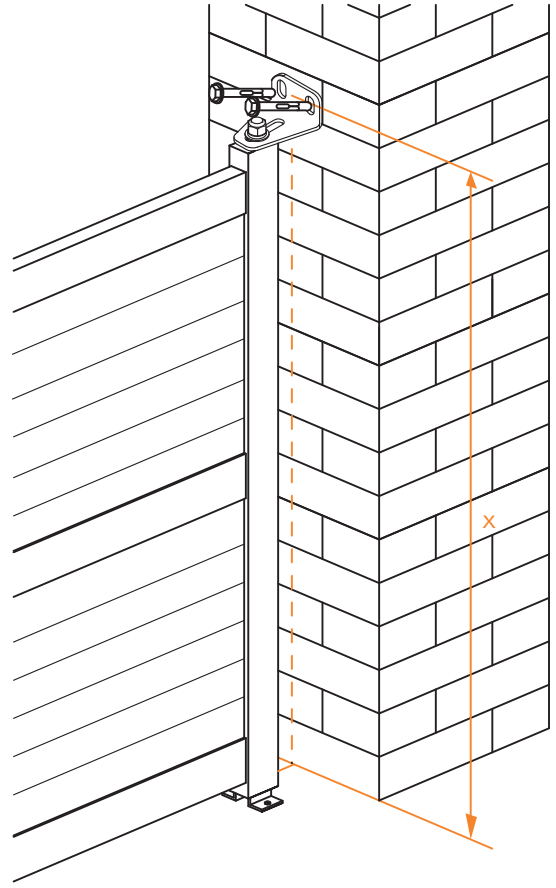
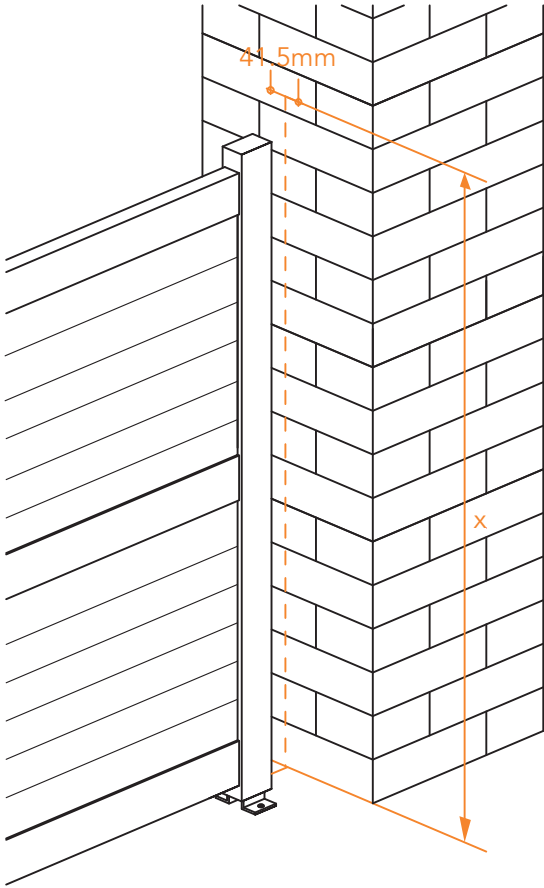


Lock Keep

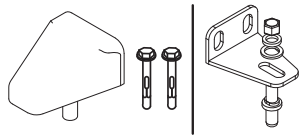
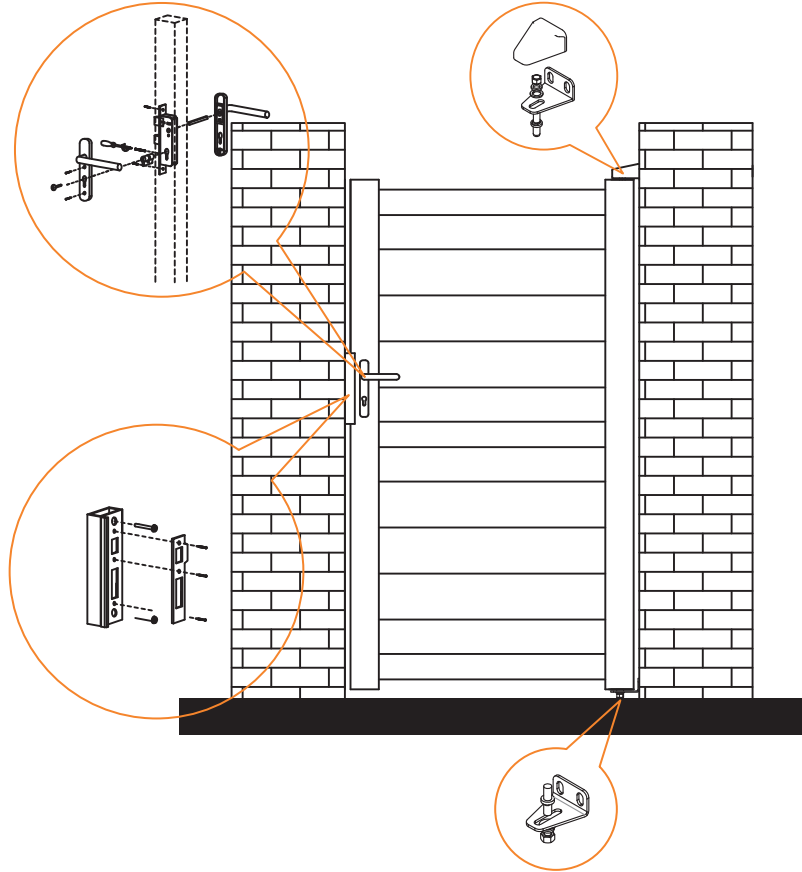


Handle Set

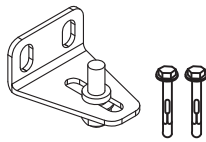




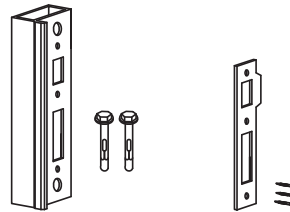
ADJUSTABLE GAP INSTALLATION



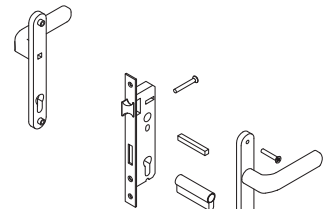
1x Wall Mounted Hinge (Top)



1x Wall Mounted Hinge (Turned over for use as bottom hinge)



Lock Keep



Handle Set

