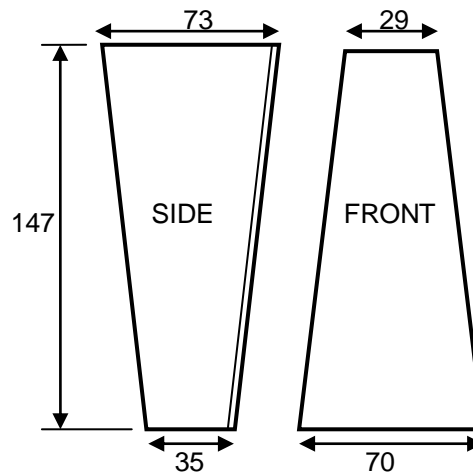


## Data Specification Sheet



### NH022W - IP44 2 X 3W LED Wall Mounted Fitting

<b>Code</b>	NH022W
<b>Description</b>	IP44 230V Exterior or Interior use 2 x 3W LED c/w built-in LED driver. Manufactured from Stainless Steel.
<b>Finishes available</b>	Stainless Steel (Not suitable for coastal areas)
<b>Overall dimensions (mm)</b>	See Above
<b>Product Weight</b>	530grams
<b>Recommended product location</b>	Indoor or Outdoor (Not recommended for food preparation areas)
<b>Lamp Supplied</b>	Yes – Non replaceable LED
<b>Voltage (V)</b>	230V 50Hz
<b>Maximum Lamp Wattage (W)</b>	2x3Watts
<b>Class</b>	Class I. Must be Earthed
<b>IP</b>	IP44
<b>Distance from lighted object</b>	0.3M
<b>Photometric Testing</b>	Not available
<b>Instruction sheet</b>	Yes
<b>Origin of manufacture</b>	China
<b>Main materials:</b>	
• <b>Body &amp; Base</b>	Stainless Steel 304
• <b>Reflector</b>	N/A
<b>Method of fix</b>	Wall mounting base plate 2 x screw
<b>Lampholder cap</b>	N/A
<b>Lamp type and base</b>	LED
<b>Electrical Connections</b>	10A L.E.N. Nylon Connector, Screw Terminals
<b>Cable rating (mm SQ /C.S.A.) &amp; type</b>	N/a
<b>CE mark</b>	Yes
<b>Quality Assurance System</b>	Yes ISO 9001 QMS
<b>Batch coding details on product</b>	Yes
<b>Certificate of Conformity (Held on File)</b>	Yes
<b>Manufactured in accordance to:</b>	EN60598
<b>Warranty</b>	1 year