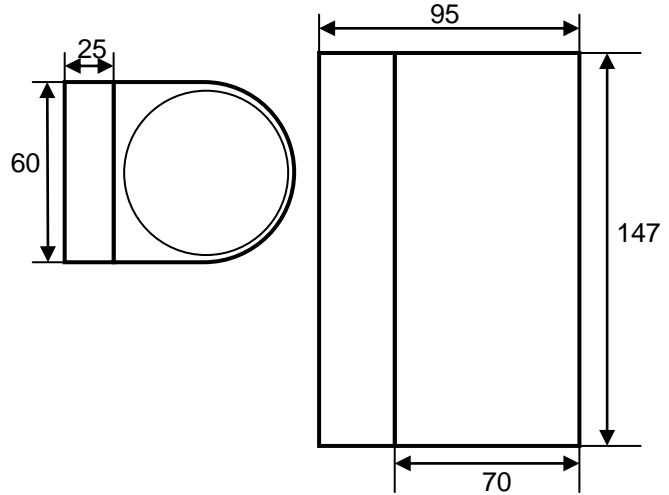


Data Specification Sheet



NH021W - IP44 2 X 3W LED Wall Mounted Fitting

Code	NH021W
Description	IP44 230V Exterior or Interior use 2 x 3W LED c/w built-in LED driver. Manufactured from Stainless Steel Grade 304.
Finishes available	Stainless Steel Grade 304 (Not suitable for coastal areas)
Overall dimensions (mm)	See Above
Product Weight	530grams
Recommended product location	Indoor or Outdoor (Not recommended for food preparation areas)
Lamp Supplied	Yes – Non replaceable LED
Voltage (V)	230V 50Hz
Maximum Lamp Wattage (W)	2x3Watts
Class	Class I. Must be Earthed
IP	IP44
Distance from lighted object	0.3M
Photometric Testing	Not available
Instruction sheet	Yes
Origin of manufacture	China
Main materials:	
• Body & Base	Stainless Steel 304
• Reflector	N/A
Method of fix	Wall mounting base plate 2 x screw
Lampholder cap	N/A
Lamp type and base	LED
Electrical Connections	10A L.E.N. Nylon Connector, Screw Terminals
Cable rating (mm SQ /C.S.A.) & type	N/a
CE mark	Yes
Quality Assurance System	Yes ISO 9001 QMS
Batch coding details on product	Yes
Certificate of Conformity (Held on File)	Yes
Manufactured in accordance to:	EN60598
Warranty	1 year

ML Accessories Ltd. reserves the right to withdraw, improve or modify any design without prior notification.

ML Accessories Ltd. cannot be held responsible for the incorrect application of any product.