

NOVA

OUTDOOR LIVING



RRP
PERGOLA 2021



TITAN	
PERGOLA COLLECTION	
Square	6
Rectangular	8
Wall Mounted	10
PROTEUS	
PERGOLA COLLECTION	
Square	14
Rectangular	16
PRIVACY SCREENS	
Titan	18
COMPARISON CHART	
Titan vs Proteus	19

TITAN

PERGOLA COLLECTION

Our Titan pergola collection offers ultimate luxury, manufactured using the best materials and offering unparalleled durability and build quality.

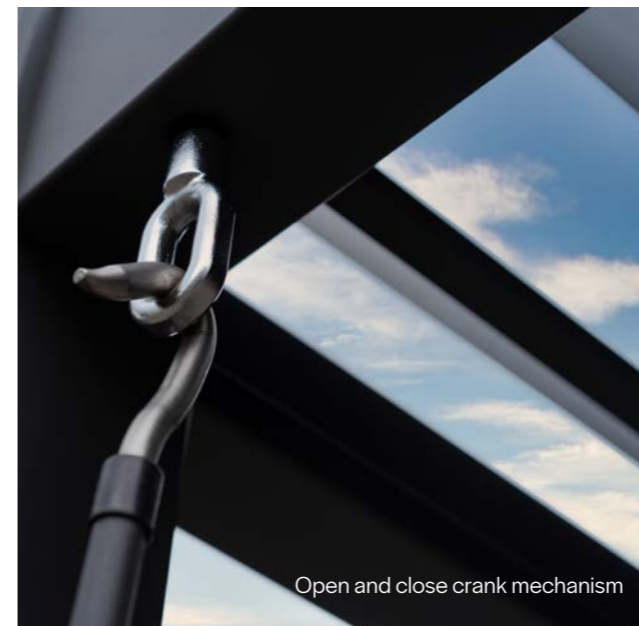
Made from high quality aluminium, the Titan range provides all year round, weather resistant protection. Each pergola is UV protected and therefore resistant to fading and other damage typically caused by heat. The super durable Tiger Drylac powder coating prevents corrosion, offering ultimate pergola protection and lifespan.

All Titan pergolas offer the perfect opportunity to extend outdoor living, thanks mainly to the aluminium tilting louvres. Switching between a closed, sheltered space and an open top, allowing direct sunlight in is easy. The smooth, rotating crank mechanism means that the transition between an open and closed roof takes approx. 30 seconds. When the aluminium louvres are closed the roof is waterproof, allowing the use of any outdoor area even when the weather is less than perfect!

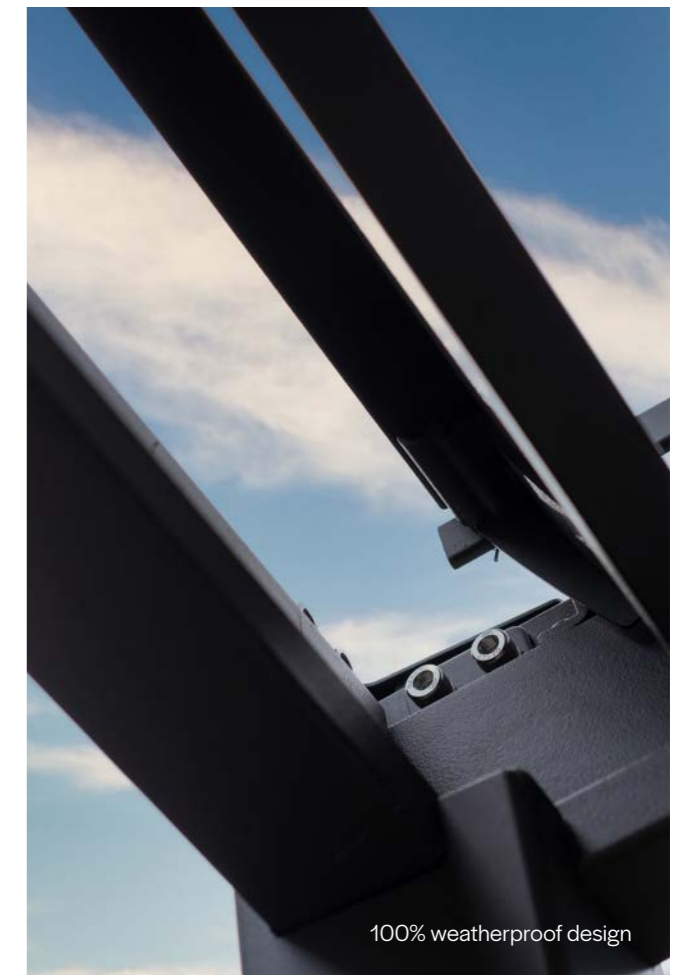
Integrated within the Titan collection is an effective drainage system allowing water to flow from the louvre roof panels and into the inside of the legs. This superb drainage method prevents a pool of water on top of all closed pergolas.



reddot winner 2020



Open and close crank mechanism



100% weatherproof design



TIGER Drylac powder coating



Built in drainage system

TITAN PERGOLA SQUARE

NOVA
OUTDOOR LIVING



PRODUCT FEATURES

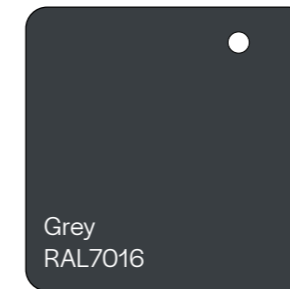
- Easy to install (min. 2 person installation)
- Available in various square sizes
- Universal ground fixings bolts
- 100% waterproof roof
- Double skinned tilting louvres with crank mechanism
- Rust and UV resistant aluminium frame and roof
- Frame leg thickness of 111mm
- Fully integrated drainage system
- TIGER Drylac powder coated finish
- Internationally recognised and awarded a prestigious Red Dot Award for design and innovation.

PRODUCT BENEFITS

- Ultimate stability from the premium tubular framework
- Open and close the roof within 30 seconds
- Ultimate durability with minimal maintenance required
- Long lasting, all weather use
- Stay dry and protected whatever the weather
- Wind tested to successfully withstand a violent storm

CODE	COLOUR	PERGOLA SIZE	LEGS
N20210	Grey	3m Square	4
N20211	White	3m Square	4
N20214	Grey	3.6m Square	4
N20215	White	3.6m Square	4

AVAILABLE COLOURS



POWDER COATED

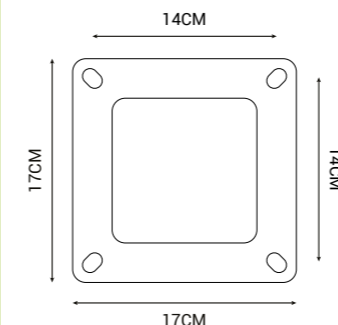


AWARD WINNING

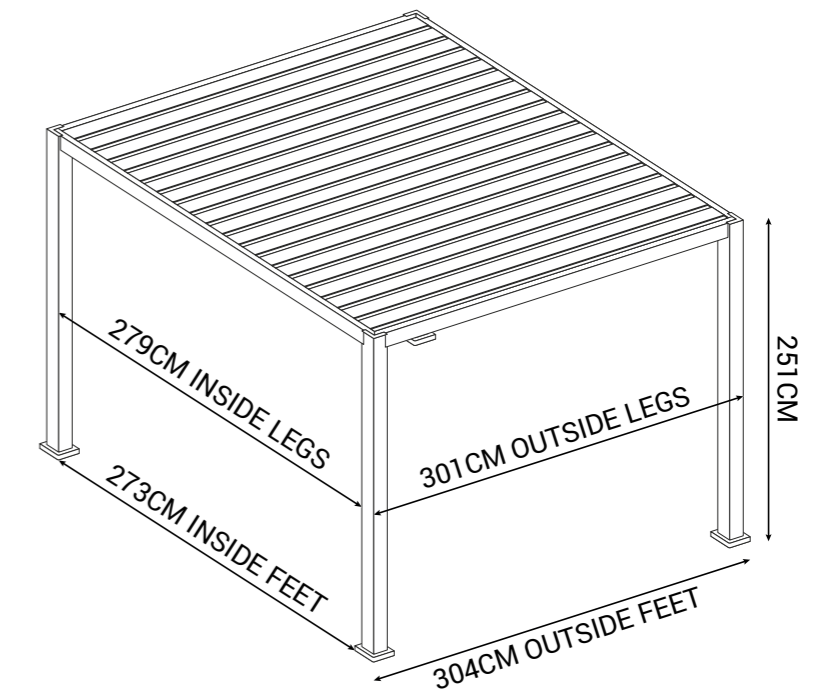


reddot winner 2020

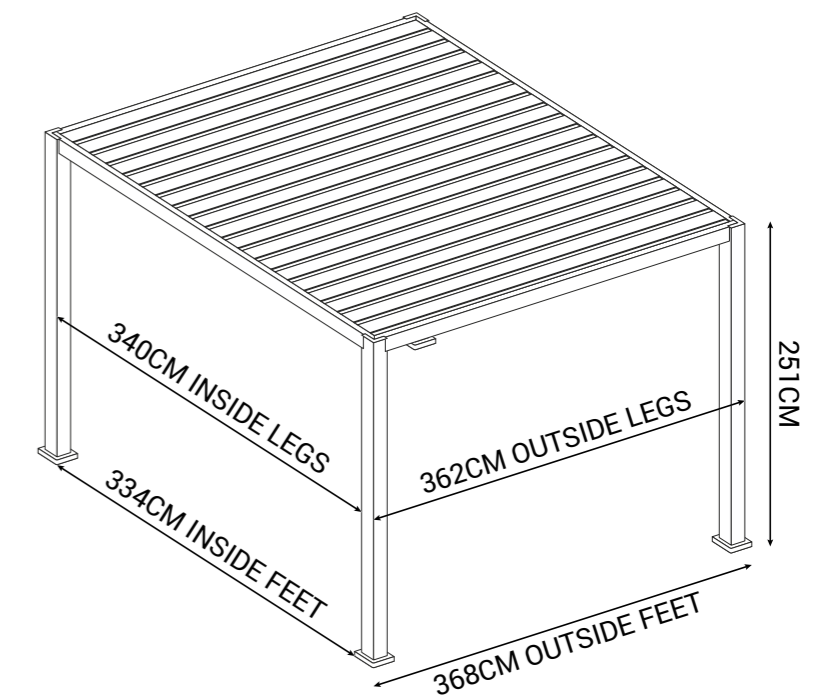
FOOT PLATE



3M DIMENSIONS



3.6M DIMENSIONS



RECTANGULAR



PRODUCT FEATURES

- Easy to install (min. 2 person installation)
- Available in various rectangular sizes
- Universal ground fixings bolts
- 100% waterproof roof
- Double skinned tilting louvres with crank mechanism
- Rust and UV resistant aluminium frame and roof
- Frame leg thickness of 111mm
- Fully integrated drainage system
- TIGER Drylac powder coated finish
- Internationally recognised and awarded a prestigious Red Dot Award for design and innovation.

PRODUCT BENEFITS

- Ultimate stability from the premium tubular framework
- Open and close the roof within 30 seconds
- Ultimate durability with minimal maintenance required
- Long lasting, all weather use
- Stay dry and protected whatever the weather
- Wind tested to successfully withstand a violent storm

CODE	COLOUR	PERGOLA SIZE	LEGS
N20212	Grey	3.6m x 3m Rectangular	4
N20213	White	3.6m x 3m Rectangular	4
N20216	Grey	4m x 3m Rectangular	4
N20217	White	4m x 3m Rectangular	4
N20218	Grey	6m x 3m Rectangular*	6
N20219	White	6m x 3m Rectangular*	6

* All 6x3m pergola's consist of 2x crank handle mechanisms that operate each half of the pergola. Roof louvres are positioned in parallel with the 3m Pergola length.

AVAILABLE COLOURS



POWDER COATED

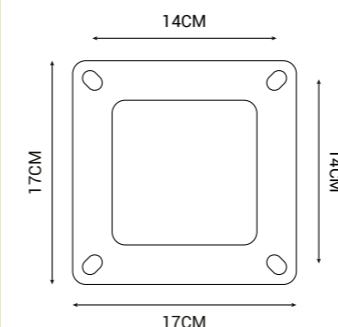


AWARD WINNING

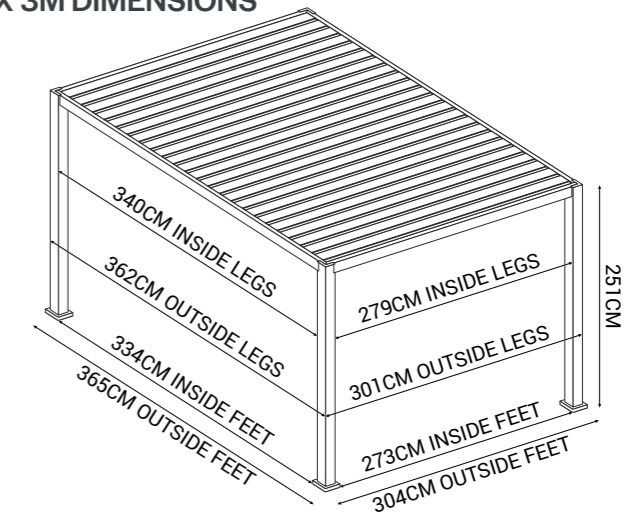


reddot winner 2020

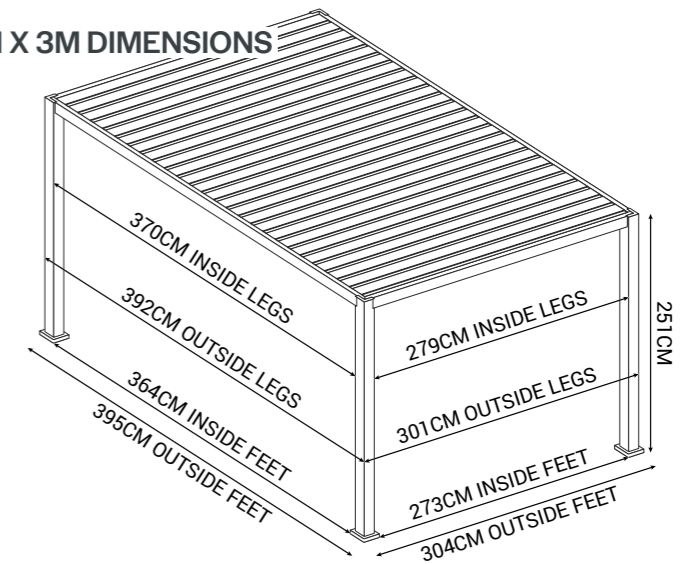
FOOT PLATE



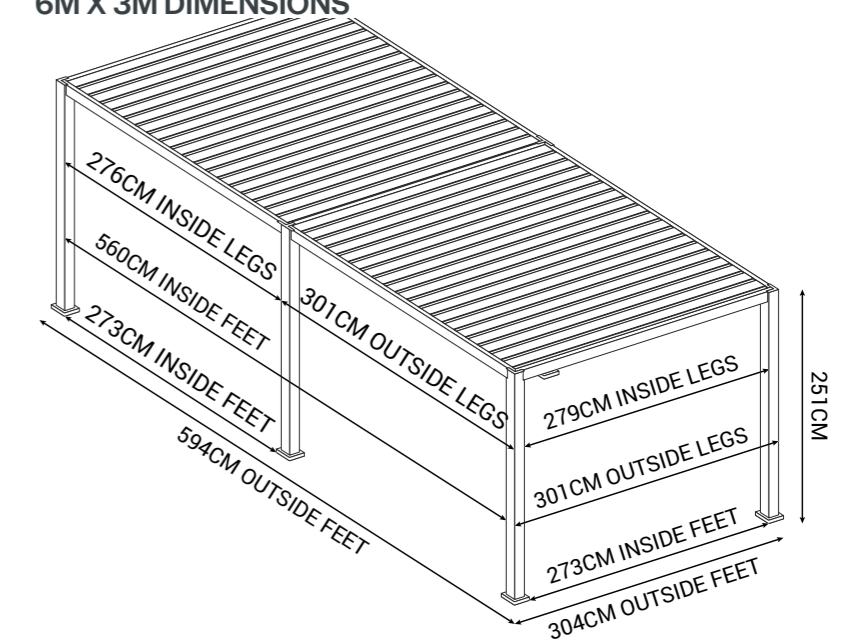
3.6M X 3M DIMENSIONS



4M X 3M DIMENSIONS



6M X 3M DIMENSIONS



WALL MOUNTED



PRODUCT FEATURES

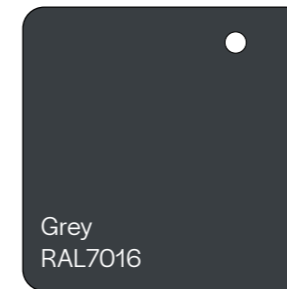
- Easy to install (min. 2 person installation)
- Available in various sizes
- Suitable to be fixed to any exterior wall
- Universal ground and wall fixing bolts
- 100% waterproof roof
- Double skinned tilting louvres with crank mechanism
- Rust and UV resistant aluminium frame and roof
- Frame leg thickness of 111mm
- Fully integrated drainage system
- TIGER Drylac powder coated finish
- Internationally recognised and awarded a prestigious Red Dot Award for design and innovation.

PRODUCT BENEFITS

- Uninterrupted covering, from inside to out
- Ultimate stability from the premium tubular framework
- Open and close the roof within 30 seconds
- Ultimate durability with minimal maintenance required
- Long lasting, all weather use
- Stay dry and protected whatever the weather
- Wind tested to successfully withstand a violent storm

CODE	COLOUR	PERGOLA SIZE	LEGS
W20220	Grey	3m Square	2
W20221	White	3m Square	2
W20222	Grey	3.6m x 3m Rectangular	2
W20223	White	3.6m x 3m Rectangular	2

AVAILABLE COLOURS



POWDER COATED

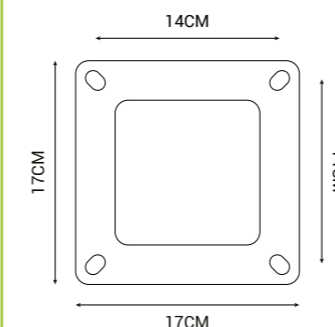


AWARD WINNING

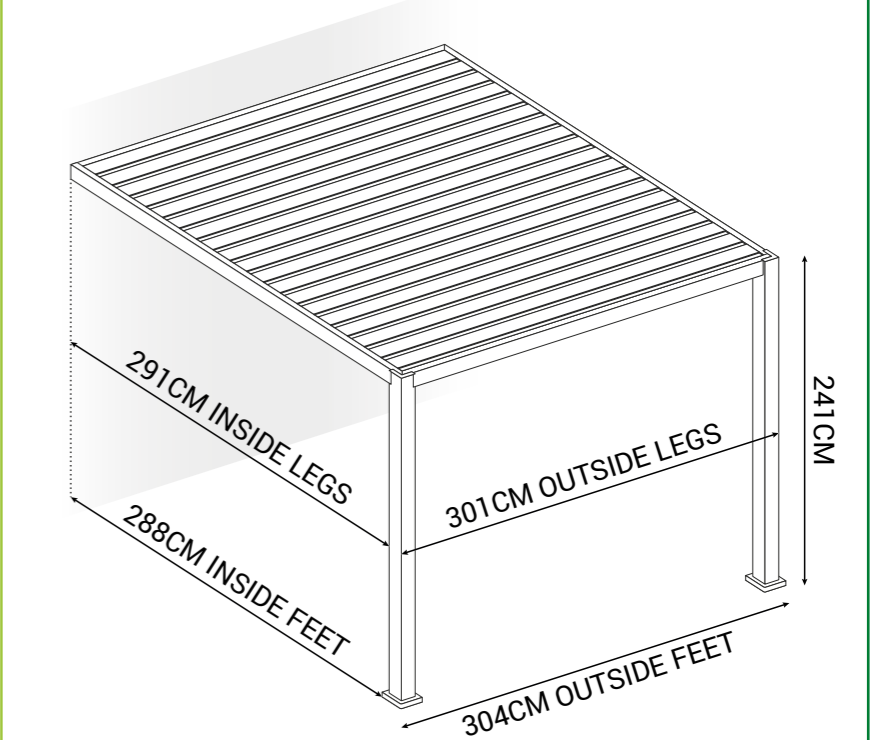


reddot winner 2020

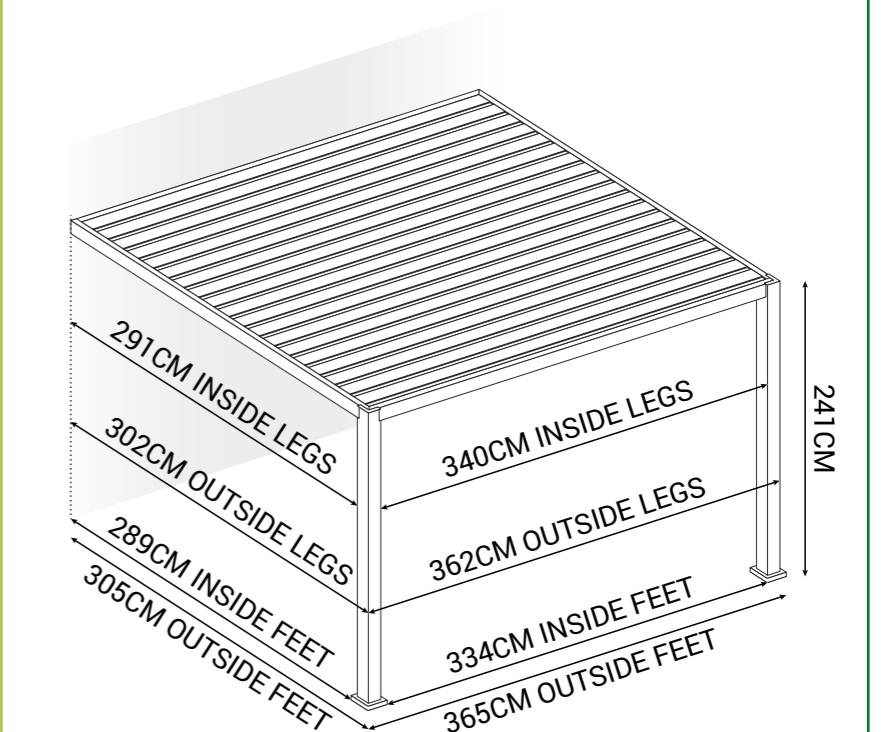
FOOT PLATE



3M DIMENSIONS



3.6M X 3M DIMENSIONS



PROTEUS PERGOLA COLLECTION

The Proteus pergola collection is perfect for adding a contemporary, covered solution to any outdoor space.

Made from aluminium framework and galvanised steel louvres, the Proteus range provides all year round, weather resistant protection. Each pergola is UV protected and therefore resistant to fading and other damage typically caused by heat.

All Proteus pergolas offer the perfect opportunity to extend outdoor living, thanks mainly to the galvanised steel tilting louvres. Switching between a closed, sheltered space and an open top, allowing direct sunlight in is easy. The smooth, rotating crank mechanism means that the transition between an open and closed roof takes approx. 30 seconds. When the louvres are closed the roof is fully watertight and waterproof, allowing the use of any outdoor area even when the weather is less than perfect!

Integrated within the Proteus collection is an effective built-in drainage system allowing water to flow from the louvre roof panels and into the inside of the legs. This superb drainage method prevents a pool of water on top of all closed pergolas.



reddot winner 2020



Open and close crank mechanism



100% weatherproof design



Built in drainage system

PROTEUS PERGOLA SQUARE



PRODUCT FEATURES

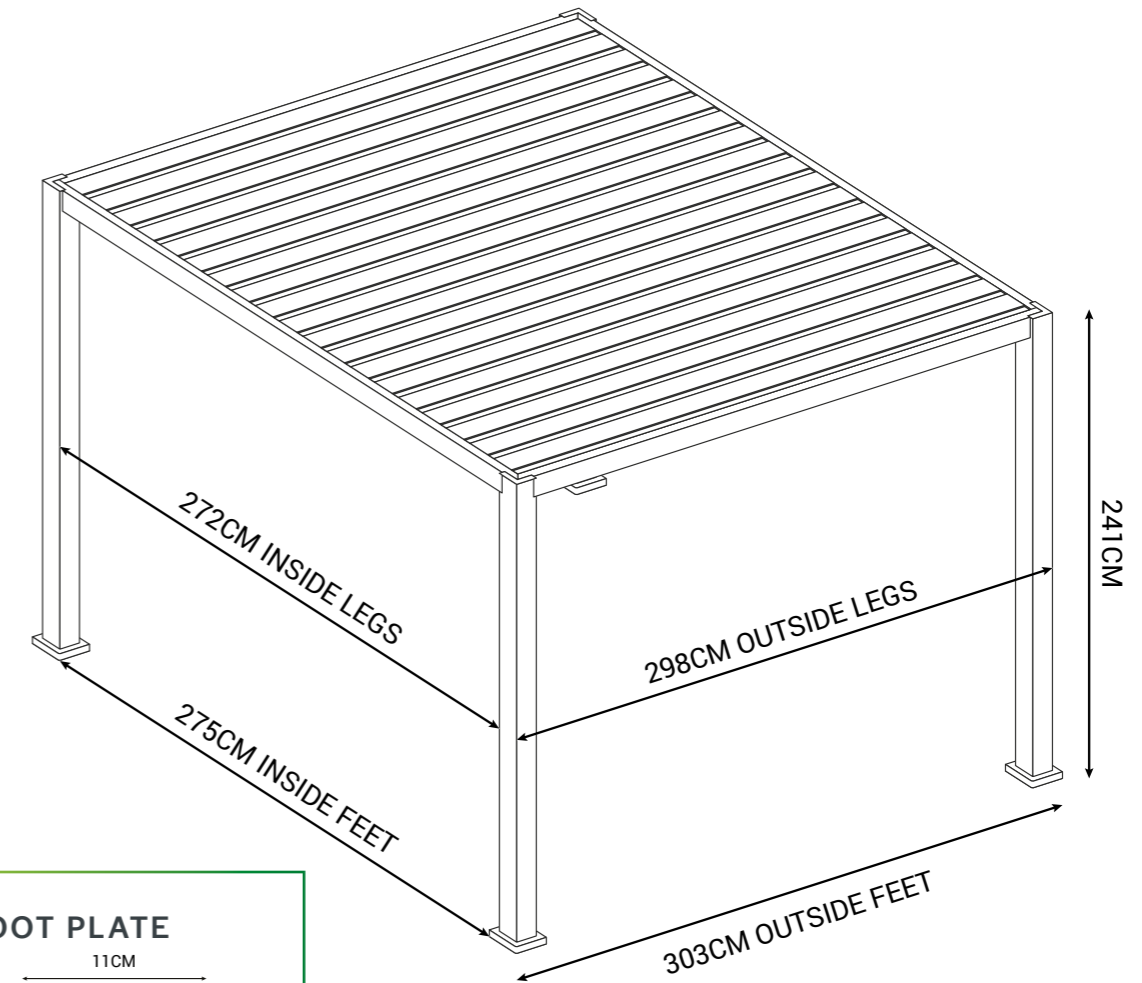
- Easy to install (min. 2 person installation)
- Universal ground fixings bolts
- 100% waterproof roof
- Galvanised steel tilting louvres with crank mechanism
- Rust and UV resistant aluminium frame
- Frame leg thickness of 88mm
- Fully integrated drainage system
- Powder coated finish
- Internationally recognised and awarded a prestigious Red Dot Award for design and innovation.

PRODUCT BENEFITS

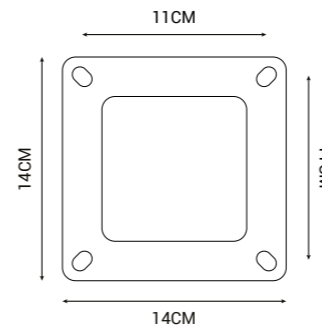
- Open and close the roof within 30 seconds
- Durable with minimal maintenance required
- Long lasting, all weather use
- Stay dry and protected whatever the weather
- Wind tested to successfully withstand a violent storm

CODE	COLOUR	PERGOLA SIZE	LEGS
N20236	Grey	3m Square	4
N20237	White	3m Square	4

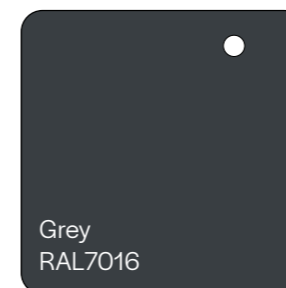
3M DIMENSIONS



FOOT PLATE



AVAILABLE COLOURS



AWARD WINNING



reddot winner 2020

PROTEUS PERGOLA RECTANGULAR



PRODUCT FEATURES

- Easy to install (min. 2 person installation)
- Available in various square sizes
- Universal ground fixings bolts
- 100% waterproof roof
- Galvanised steel tilting louvres with crank mechanism
- Rust and UV resistant aluminium frame
- Frame leg thickness of 111mm
- Fully integrated drainage system
- Powder coated finish
- Internationally recognised and awarded a prestigious Red Dot Award for design and innovation.

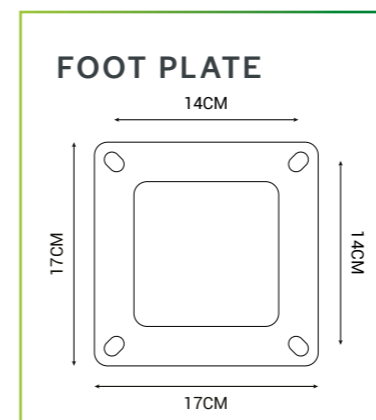
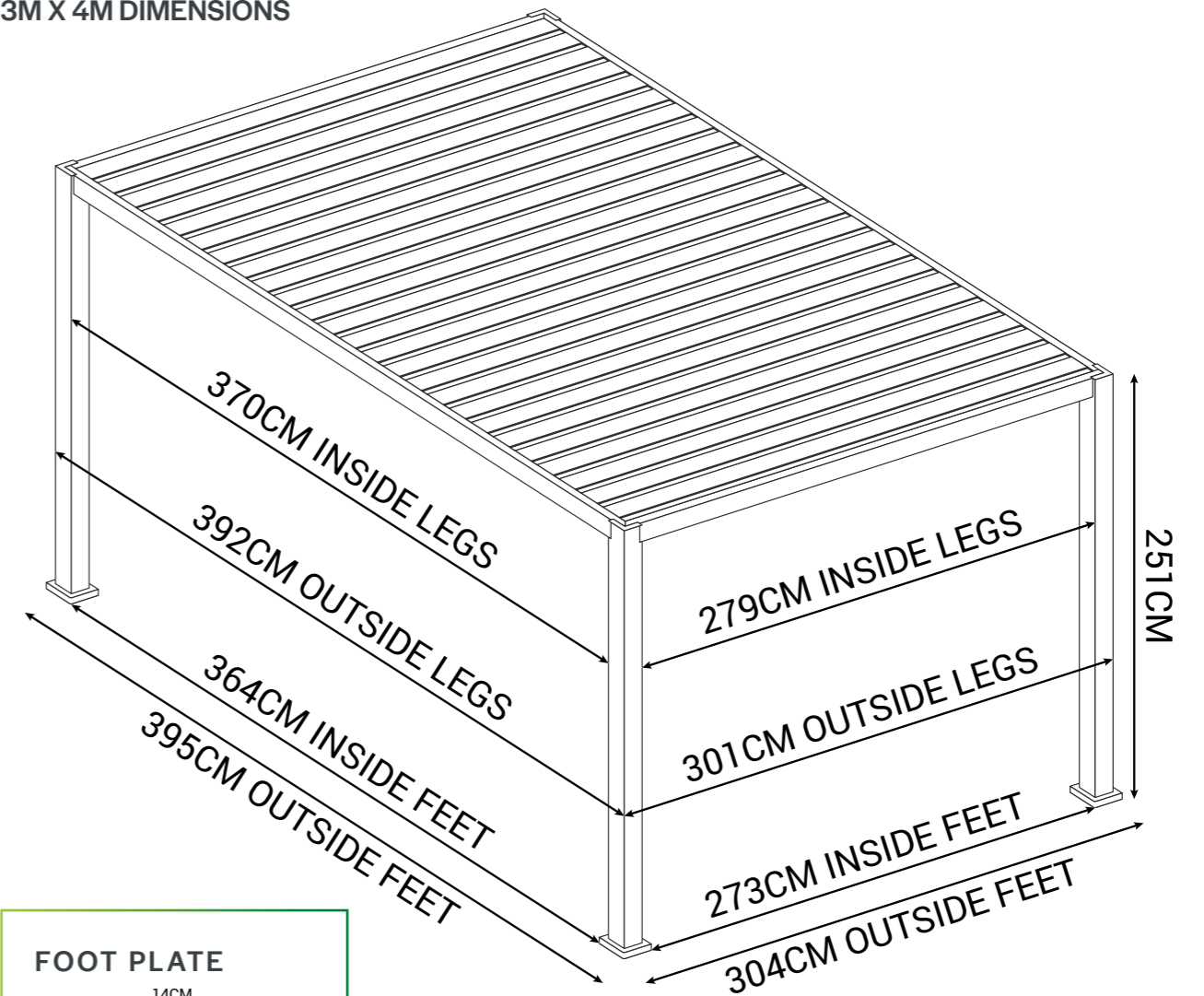
PRODUCT BENEFITS

- Open and close the roof within 30 seconds
- Durable with minimal maintenance required
- Long lasting, all weather use
- Stay dry and protected whatever the weather
- Wind tested to successfully withstand a violent storm

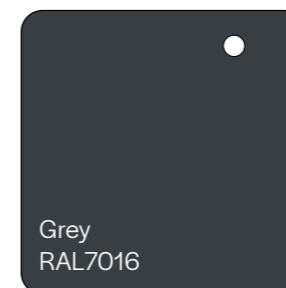
CODE	COLOUR	PERGOLA SIZE	LEGS
N20240	Grey	3m x 4m Rectangular	4
N20241	White	3m x 4m Rectangular	4

*Roof louvres are positioned in parallel with the 3m Pergola length.

3M X 4M DIMENSIONS



AVAILABLE COLOURS



AWARD WINNING



reddot winner 2020

PRIVACY SCREENS



Our privacy screens are the perfect addition to the Titan pergola range, in order to make your outdoor space even more protected against the elements.

The screens can be attached to any Titan pergola via its aluminium framework and are manually pulled down in order to create the protection you need. When you wish to open your pergola, simply push the screen up and back into the aluminium roller. The screen is made from heavy duty textilene material, offering a fully weather-resistant solution that can be left outdoors all year round with minimal maintenance.

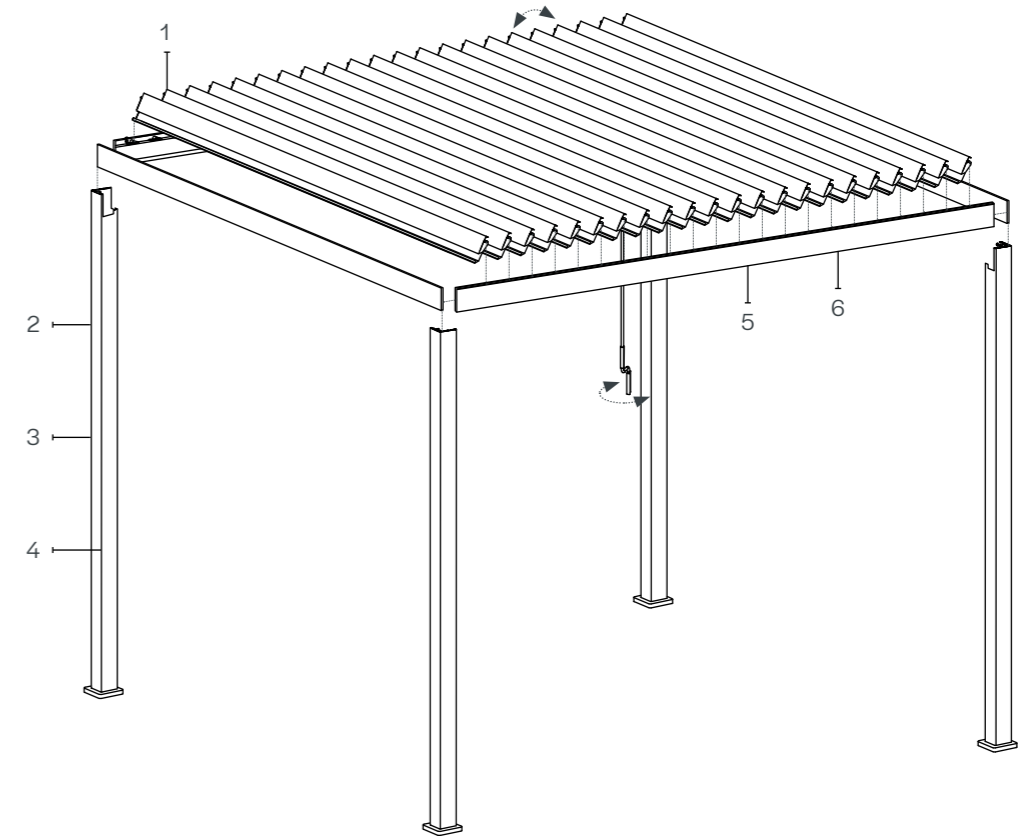
All prices are for individual items, but to offer ultimate protection we would recommend purchasing multiple screens.

*Please note: These privacy screens are **not suitable** for all wall mounted pergolas or the Proteus 3m square pergola. Privacy screens cannot be attached to side where the crank mechanism is located. A maximum of x3 privacy screens can be applied to any suitable pergola. The installation of all privacy screens involves drilling directly into the pergola framework.*

CODE	COLOUR	PERGOLA SIZE
N20795	Grey	Titan 3m Privacy Screen
N20796	White	Titan 3m Privacy Screen
N20797	Grey	Titan 3.6m Privacy Screen
N20798	White	Titan 3.6m Privacy Screen
N20799	Grey	Titan 4m Privacy Screen
N20800	White	Titan 4m Privacy Screen

PERGOLA COLLECTION COMPARISON CHART

The below comparison guide provides comprehensive differences between both Titan and Proteus ranges. All of our Pergola's are fully weatherproof and available in a range of sizes and colours, allowing outdoor enjoyment no matter the weather!



		TITAN	PROTEUS
1	Roof Louvre Material	High Quality Aluminium	Galvanised Steel
2	Frame Material	Aluminium	Aluminium
3	Frame Overall Height	251cm	251cm (3mx4m) / 241cm (3m)
4	Frame Leg Thickness	111 x 111mm	111 x 111mm (3mx4m) / 88 x 88mm (3m)
5	Power Coated	Tiger Drylac branded	Non branded
6	Guarantee	5 Years	2 Years

NOVA
OUTDOOR LIVING